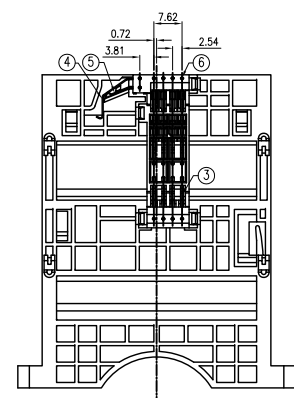
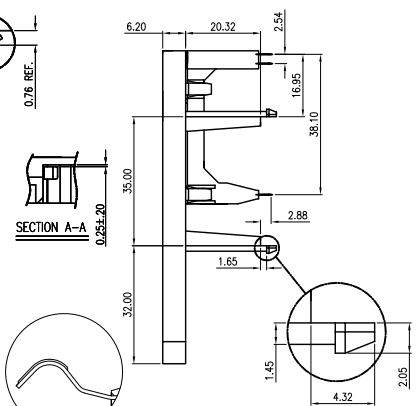
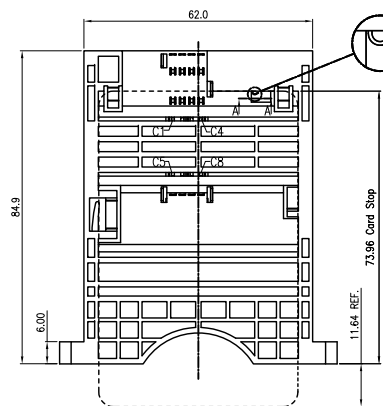


REV.	ECN. NO.	REVISION NOTE	APR.	DATE
X1			Vegas	2013-08-17

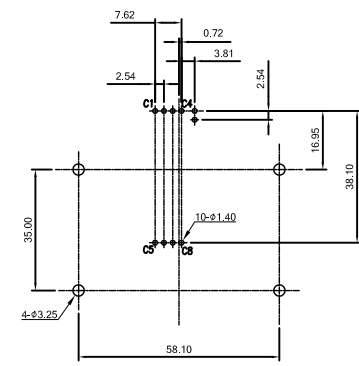
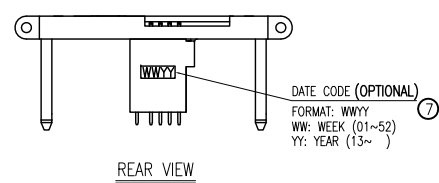
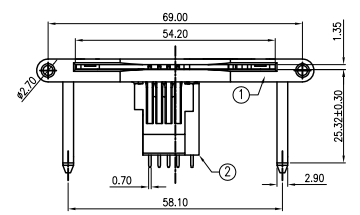


NOTES:
 1. SMART CARD IS DESIGNED TO ACCEPT ISO7816-2 TYPE INTEGRATED CIRCUIT SMART CARDS (0.76mm REF, THICKNESS)
 2. OPERATING TEMPERATURE: -40°C ~ +80°C.
 3. CURRENT RATING: 1 AMP MAX.
 4. RoHS 6 / 6 COMPLIANT.
 5. THE MAX. WARP AND TWIST NOT TO EXCEED 0.2MM.
 6. WITHSTAND 260°C FOR 5 SECONDS MIN WITHOUT DEGRADATION.

PART. NUMBER

SMR-2A 08 - P K 3 0 - I X
 ① ② ③④⑤⑥ ⑦⑧

- ① CONNECTOR:
SMR-2A: SMART CARD CONNECTOR
- ② POSITION:
08: 8 POSITIONS
- ③ INSULATOR MATERIAL:
P: PBT
- ④ INSULATOR COLOR:
K: BLACK
- ⑤ CONTACT PLATING:
3: GOLD 5u"
- ⑥ SHIELD PLATING:
0: WITHOUT SHIELD
- ⑦ PACKING:
T: TRAY
- ⑧ OTHERS:
0: WITHOUT DATE CODE
1: WITH DATE CODE



Recommend PCB Layout (Jack Top View)
 Tolerance: ±0.05mm
 Recommend PCB Thickness: 1.6mm

CARD CONTACT INFORMATION

Pin NO	NAME	Pin NO	NAME
C1	VCC	C5	GND
C2	RST	C6	VPP
C3	CLK	C7	I/O
C4	RFU	C8	RFU

ITEM	NAME	Q'TY	MATERIAL	PLATING & COLOR
7	Ink	1	Domino IR-270BK & MC-270BK	Black
6	Long Contact	4	Phosphor Bronze	
5	Switch Quiet Contact	1	Brass	Contact Area: 5u" Au Plating; Solder Area: 100u"
4	Switch Sport Contact	1	Phosphor Bronze	Min. Tin Plating; Underplated: 50u" Min. Ni Plating
3	Short Contact	4	Phosphor Bronze	
2	Cover	1	PBT + 30% GF UL94V-0	Black
1	Housing	1	PBT + 30% GF UL94V-0	Black

DIMENSION IN mm		CHINA ZUANBAO ELECTRONICS CO.,LTD.	TITLE. SMART CARD CONNECTOR		
GENERAL TOLERANCES (UNLESS SPECIFIED)			PART NO. SMR-2A08-PK30-TX	DWG NO. ZB-0D0003	
.X ±0.38	X.' ±3.0'	APR.		SIZE. A3	SHEET 1/1
.XX ±0.20	.X' ±2.0'	CHK.		SCALE. 4:1	REV. X1
.XXX ±0.10	.XX' ±1.5'	DRA.	Vegas 2013-8-17		
CUSTOMER					