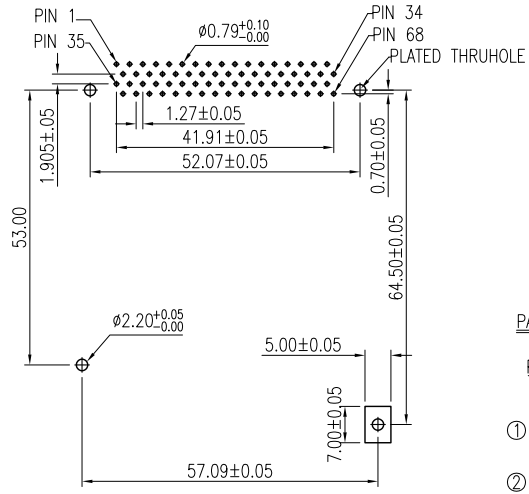
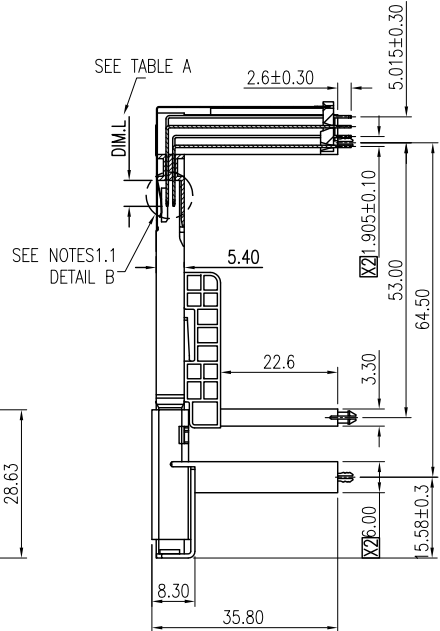
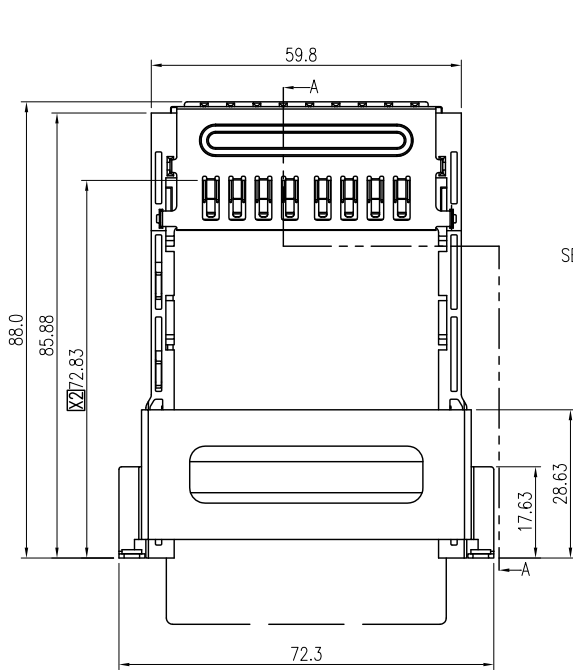


REV.	ECN. NO.	DESCRIPTION	APR.	DATE
X1	DCN201308201	NEW RELEASE	PAT	2013-08-17
X2	DCN201308202	ADD DIMENSION	PAT	2013-08-23
X3	DCN201309202	MODIFY PLATING	PAT	2013-09-26



**PART. NUMBER**

PCR-2B 68 - P K X 0 - T\_0  
 ① ② ③④⑤⑥ ⑦

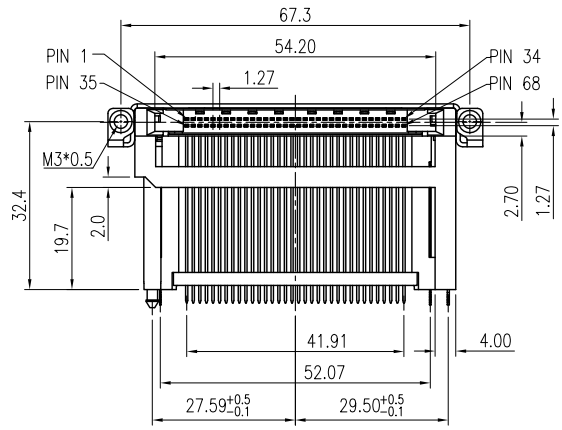
- ① CONNECTOR:  
PCR-2B: PCMCIA CARD BUS CONN,THK.35.8MM
- ② POSITION:  
68: 68 POSITIONS
- ③ INSULATOR MATERIAL:  
P: PBT
- ④ INSULATOR COLOR:  
K: BLACK
- ⑤ CONTACT PLATING:  
1: GOLD FLASH  
3: GOLD 5u"  
5: GOLD 15u"
- ⑥ SHIELD PLATING  
0: NO SHIELD
- ⑦ PACKING  
T: TRAY

**SECTION A-A**


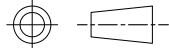
PCB LAYOUT: COMPONENT SIDE  
 PCB THK: 1.60±0.10MM

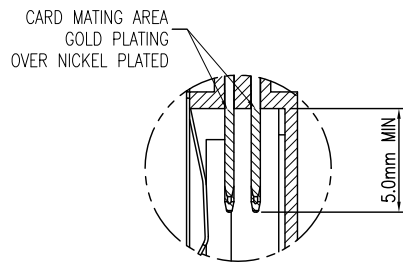
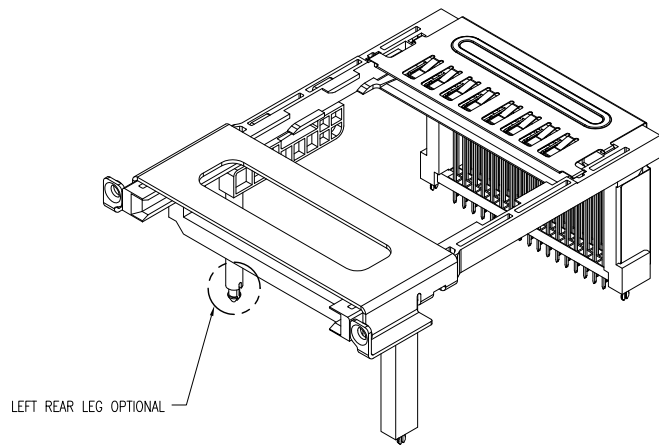
**TABLE A**

PIN TYPE	DIM.L±0.20	PIN NUMBER
DETECT	3.50mm	36,67
GENERAL	4.25mm	THE REST
POWER	5.00mm	1,17,34,35,51,68



RoHS Compliant

DIMENSION IN mm		 <b>CHINA ZUANBAO ELECTRONICS CO.,LTD.</b>		PCMCIA CARD BUS CONNECTOR			
GENERAL TOLERANCES (UNLESS SPECIFIED)				TITLE.	PCR-2B68-PKX0-T0		
.X ±0.38	X.* ±3.0*	APR.		PART NO.	PCR-2B68-PKX0-T0	DWG NO.	ZB-0D0006
.XX ±0.20	.X.* ±2.0*	CHK.		SIZE.	A3	SHEET	1 / 2
.XXX ±0.10	.XX.* ±1.5*	DRA.	Pat 2013-09-26	SCALE.	1 : 1	REV.	X3
<b>CUSTOMER</b>							



DETAIL B

NOTES:

1.MATERIAL:

HOUSING:PBT+30%GF UL94V-0,BLACK.  
 GUIDER:PBT+30%GF UL94V-0,BLACK.  
 TERMINAL:BRASS.  
 BOARD LOCK:PHOSPHOR BRONZE.  
 BRACKET:SUS430.  
 EMI/ESD CONTACT:PHOSPHOR BRONZE.

1.1.PLATING:

TERMINAL:GOLD PLATED ON CARD MATING AREA(SEE DETAIL A)  
 TIN 60u"Min.PLATING SOLDER AREA.  
 OVERALL Ni 40u"Min.UNDER PLATING.  
 BOARD LOCK:GOLD FLASH ON CONTACT AREA  
 TIN 60u"Min.PLATING ON SOLDER AREA.  
 OVERALL Ni 40u"Min.UNDER PLATING.

EMI/ESD CONTACT:GOLD FLASH ON CONTACT AREA  
 OVERALL Ni 40u"Min.UNDER PLATING.

2.MECHANICAL SPEC:

(A) TOTAL INSERTION FORCE  
 STANDARD:39.2N max.  
 (B) TOTAL PULLING FORCE  
 STANDARD:6.67N min.and 39.2N max.

3.ELECTRICAL SPEC:

(A)THE SOCKET IS FOR3.3V AND 5V PC CARD.  
 (B)CONTACT RESISTANCE  
 STANDARD:INITIALLY 40mohms max.  
 AFTER TEST 20mohms max.CHANGE.  
 (C)WITHSTANDING VOLTAGE  
 STANDARD:NO SHORTING OR OTHER DAMAGES WHEN  
 500V rms AC IS APPLIED FOR 1 MINUTE  
 CURRENT LEAKAGE 1 mA max.  
 (D)INSULATION RESISTANCE  
 STANDARD:INITIALLY 1000Mohms min.  
 AFTER TEST 100Mohms min.

4.RoHS 6/6 COMPLIANT.

5.COMPATIBILITY FOR TYPE I,II III PC CARDS.

6.COMPLIANCE TO PC CARD STANDARD  
 RELEASE 5.0\_1995 TO RELEASE 8.0\_2001.

PART NO.	PCR-2B68-PKX0-T0	SHEET	2 / 2
DWG NO.	ZB-0D0006	REV.	X3