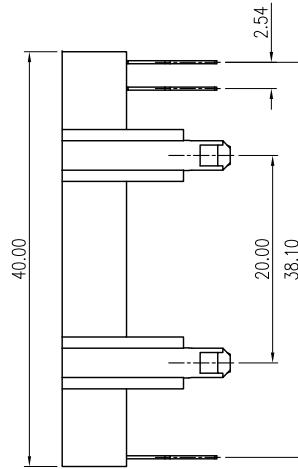
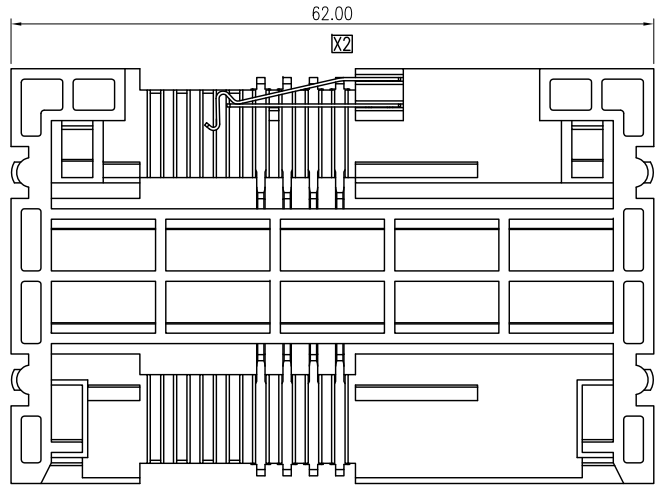


REV.	ECN. NO.	DESCRIPTION	APR.	DATE
X1	DCN201308201	NEW RELEASE	PAT	2013-08-17
X2	DCN201308202	MODIFY DESIGN	PAT	2013-08-28

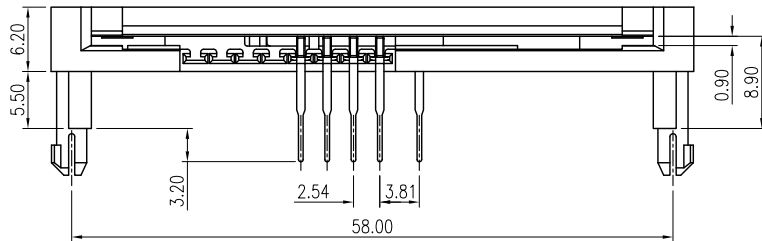


PART. NUMBER

SMR-2B 08 - P K X 0 - T_0

① ② ③④⑤⑥ ⑦

- ① CONNECTOR:
SMR-2B: SMARD CARD CONNECTOR
- ② POSITION:
08: 8 POSITIONS
- ③ INSULATOR MATERIAL:
P: PBT
- ④ INSULATOR COLOR:
K: BLACK
- ⑤ CONTACT PLATING:
1: GOLD FLASH
3: GOLD 5u"
5: GOLD 15u"
- ⑥ SHIELD PLATING
0: NO SHIELD
- ⑦ PACKING
T: TRAY



RoHS Compliant

DIMENSION IN mm

GENERAL TOLERANCES
(UNLESS SPECIFIED)

.X ±0.38	X.* ±3.0°
.XX ±0.20	.X.* ±2.0°
.XXX ±0.10	.XX.* ±1.5°

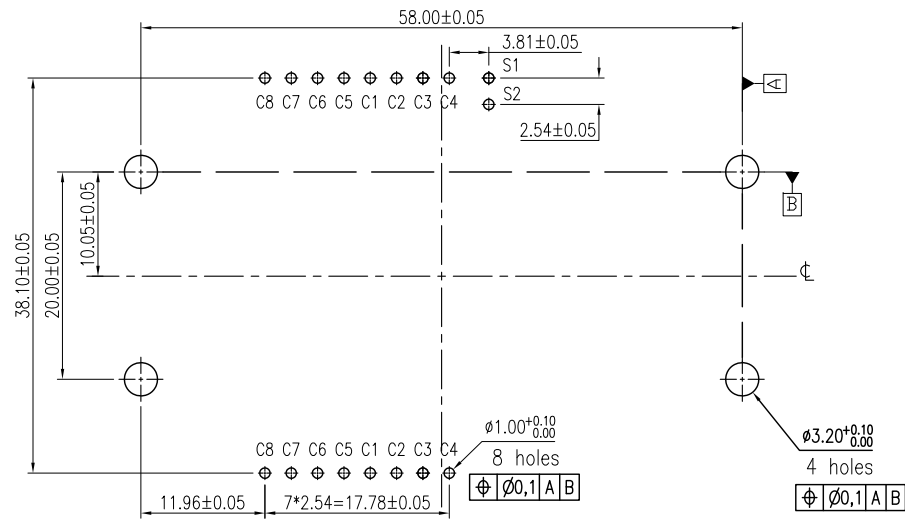


CHINA ZUANBAO ELECTRONICS CO.,LTD.

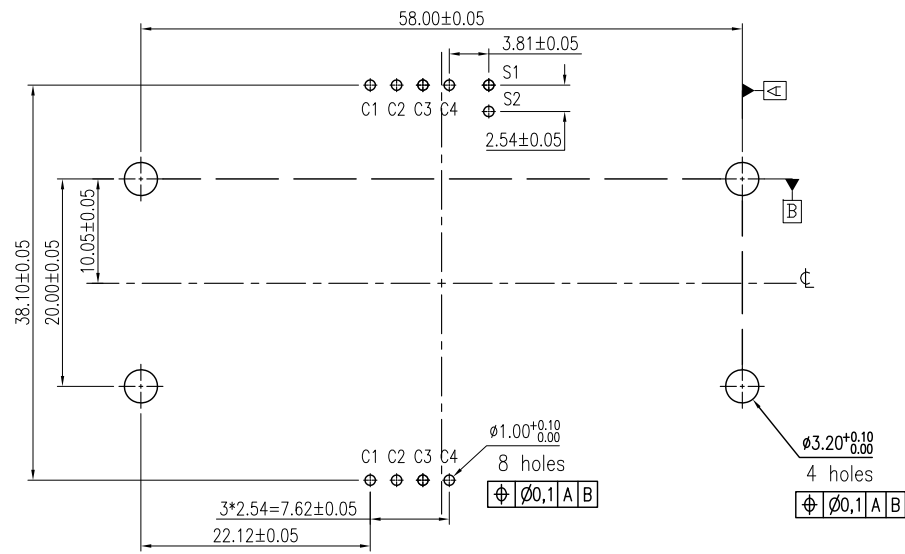
CUSTOMER

DRA. Pat 2013-8-28

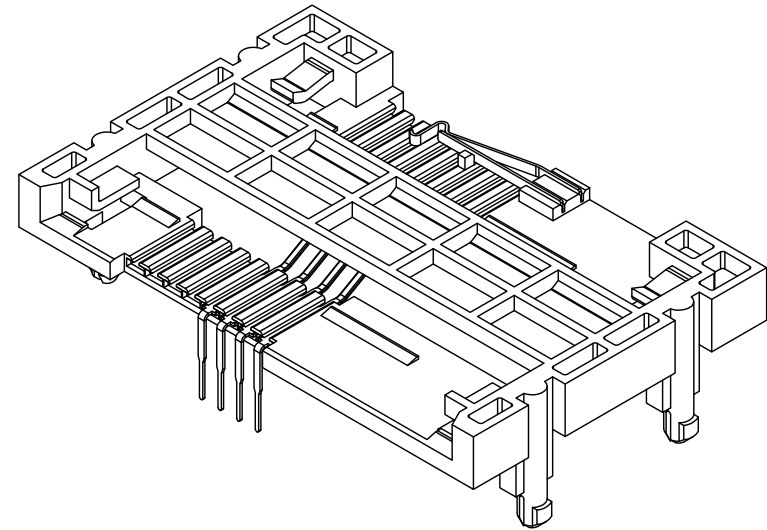
TITLE.	SMARD CARD CONNECTOR			
PART NO.	SMR-2B08-PKX0-T0	DWG NO.	ZB-0D0007	
	SIZE.	A3	SHEET	1 / 2
	SCALE.	2 : 1	REV.	X2



RECOMMENDED PCB LAYOUT CONTACT CONFIGURATION : ISO
(CONNECTOR SIDE)



RECOMMENDED PCB LAYOUT CONTACT CONFIGURATION : ISO
(CONNECTOR SIDE)



NOTES:

ELECTRICAL PROPERTIES:

Insulation resistance : 5000 mΩ min
Dielectric withstanding : 750 Vrms min
Current carrying capacity :10uA min, 1A ma
Contact resistance : 100mΩ max
Card sensor type : Normally closed

MECHANICAL PROPERTIES:

Contact Normal force : 0.6 N max (EMV Stand)
Insertion force : 10 N max
Extraction force : 2 N min
Durability : 10000

MATERIAL:

Housing : Thermoplastic 30% Glass Filled,
Contacts and switch : Phosphor bronze

FINISH SPECIFICATION:

Nickel underplating all over
Gold on contact area.
Tin/lead on soldertails

FOR LEAD FREE PLATING:

Matte Tin on solder tail in place
Bare edoes allowed

ENVIRONMENT:

Operating temperature: -20°C / +80°C
Storage temperature: -40°C / +80°C
Printed Circuit Board thickness: 1.6mm

PART NO.	SMR-2B08-PKX0-T0	SHEET	2 / 2
DWG NO.	ZB-0D0007	REV.	X2