

REV.	ECN. NO.	DESCRIPTION	APR.	DATE
X1			Vegas	2013-08-17
X2	ECN201308101	ADD "RECOMMEND PANEL CUTOUT"	Vegas	2013-08-20
X3	ECN201309101	REVISE DRAWING	Vegas	2013-09-04

NOTES: 1. MATERIAL:
 TERMINAL: BRASS, T=0.2mm.
 SHIELD: SUS, T=0.5mm
 HOUSING: LCP+30%G.F.(UL94V-0), COLOR: BLACK.
 COVER: PBT+30%G.F.(UL94V-0), COLOR: BLACK.

2. PLATING:
 TERMINAL: SELECTIVE Au PLATED ON CONTACT AREA,
 100u" Sn PLATED ON SOLDER TAIL AREA,
 BOTH OVER 50u" Ni UNDERPLATED OVERALL.
 SHIELD: PLATED 50u" MIN. SOLDERABLE Ni OVERALL.

3. INTERFACE DIMENSIONS PER HDMI SPECIFICATION VERSION 1.3a

4. RoHS COMPLAINT

5. HDMI 1.3a CAT 2 COMPLIANT

6. PACKING: TRAY.

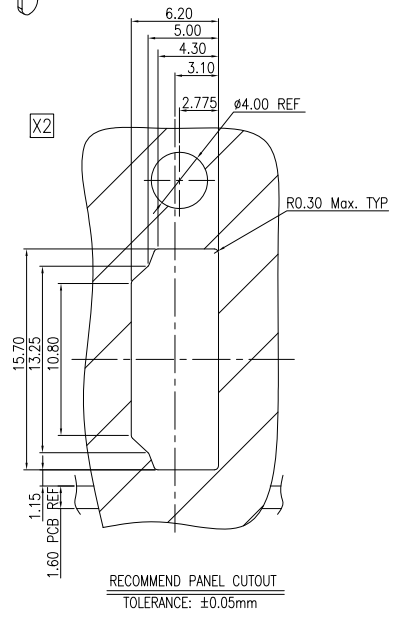
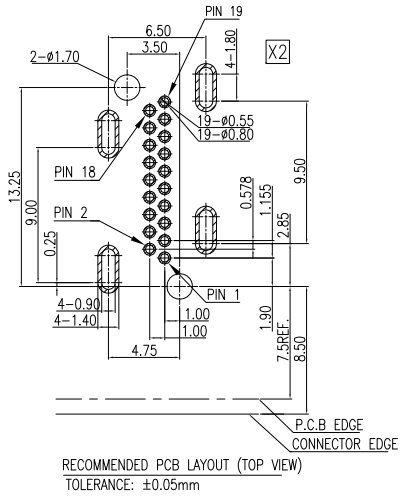
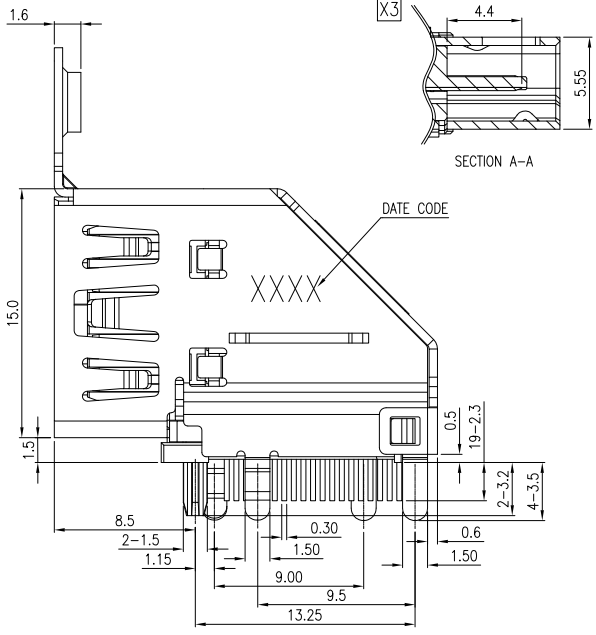
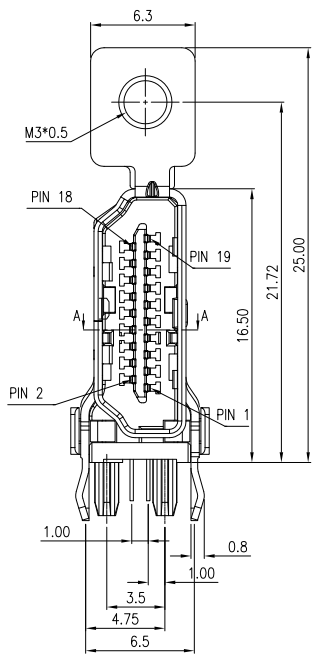
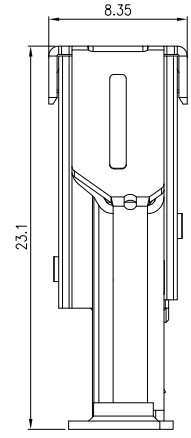
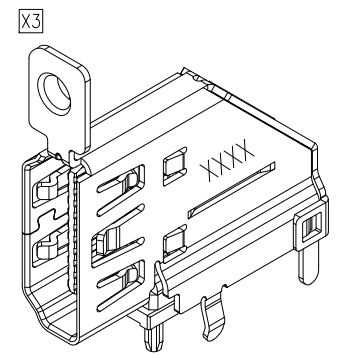
7. ELECTRICAL PERFORMANCE
 CONTACT RESISTANCE: 30m OHMS MAX.
 INSULATION RESISTANCE: 100M OHMS MIN.
 DIELECTRIC WITHSTANDING VOLTAGE: 500V AC.

8. MECHANICAL PERFORMANCE
 INSERTION FORCE: 4.5kgf MAX.
 WITHDRAWAL FORCE: 1.0kgf MIN.; 4.0kgf MAX.


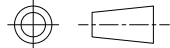
9. ENVIRONMENTAL PERFORMANCE
 PEAK TEMPERATURE: WITHSTAND 260°C/5s

PART. NUMBER

- HAR-2A 19 - L K X S - I X
 ① ② ③④⑤⑥ ⑦⑧
- ① CONNECTOR:
HAR-2A: HDMI CONNECTOR
 - ② POSITION:
19: 19 POSITIONS
 - ③ INSULATOR MATERIAL:
L: LCP
 - ④ INSULATOR COLOR:
K: BLACK
 - ⑤ CONTACT PLATING:
1: GOLD FLASH
5: GOLD 15u"
6: GOLD 30u"
 - ⑥ SHIELD PLATING:
S: MATTE TIN
 - ⑦ PACKING:
T: TRAY
 - ⑧ OTHERS:
0: WITHOUT DATE CODE
1: WITH DATE CODE



RoHS Compliant

DIMENSION IN mm		 CHINA ZUANBAO ELECTRONICS CO.,LTD.		TITLE: HDMI CONNECTOR			
GENERAL TOLERANCES (UNLESS SPECIFIED)				PART NO. HAR-2A19-LKXS-TX		DWG NO. ZB-0D0004	
.X ±0.38	X.* ±3.0°	APR.			SIZE: A3	SHEET: 1 / 1	
.XX ±0.20	.X.* ±2.0°	CHK.			SCALE: 4 : 1	REV.	X1
.XXX ±0.10	.XX.* ±1.5°	DRA.	Vegas 2013-8-17				
CUSTOMER							